



Gas Control Equipment



## PREMIUM CYLINDER REGULATOR SERIES

# ESAB ProGen

*The ESAB ProGen regulator is suitable for all technical gas applications within industrial environment such as gas welding, heating and soldering, as well as the gas cutting of materials up to a thickness of 300 mm.*

The ergonomic design combined with a rigid construction results in a safe and wear-resistant regulator. A strong metal gauges shield covered by a rubber sleeve prevents the gauges from being damaged which is one of the most common reasons for malfunction.

The operation of the regulators is first-rate and provides highly efficient and precise regulation of gas supplies. The design is compact with a low weight, yet the flow capacity is sufficient for the majority of gas processes in the cutting and welding field.

Raw materials have been selected with great care in order to ensure compatibility with the gas type and usage. All regulators are subject to individual tests before leaving the factory.



# ESAB ProGen

## FEATURES

- Double protection for gauges incl. special metal cage
- **Safety protected** with integrated pressure relief valve for overpressure protection
- **Easy handling** for the operator by **ergonomic** arrangement
- Three scale pressure gauges acc. to ISO 5171
- Encapsulated regulating technology for precise and **stable control**
- **Safety** focused ISO 2503
- Available with NEVOC connection
- Up to **300 bar** cylinder pressure
- European design

## TECHNICAL DATA

Gas	O <sub>2</sub> , N <sub>2</sub> , H <sub>2</sub> , He	Ar, Ar/CO <sub>2</sub> , F.G.*	CO <sub>2</sub>	Acetylene	Propane
Body	Brass forged				
Bonnet	Zn/Al alloy Die Cast				
Stems, nuts and fittings	Brass				
Diaphragm	EPDM			NBR	
Seat sealing	PA			CR	
Inlet/ Outlet connection	Gas specific connection				
Maximal inlet pressure	200 or 300 bar		200 bar	25 bar	
Outlet pressure/ flow range	0-10 bar	0-40l/min		1,5 bar	4 bar
Temperature range	From -20°C to 60°C				
Weight	Approx. according to gas variant: 1,9 kg				
Pressure relief valve	Used in all variants				

## PRODUCT ADVANTAGES

**Advanced Gauge Cover cap** giving an optimal protection from results of potentially rough handling and contributing to even better safety of the operation.

### Exact gas pressure measurement.

Easy reading of the gas parameters on a three-unit scale with a contrast pointer.



User friendly **Ergonomic Handwheel** for easy set-up, colour coded according to the gas.

### Inlet Connection

Side and Bottom Entry variants available, variants fit on all types of cylinder valves.



**Encapsulated regulating valve technology** Stable gas outlet pressure and optimal flow performance for the gas application.

Safe operation thanks to **pre-adjusted pressure relief valve**.

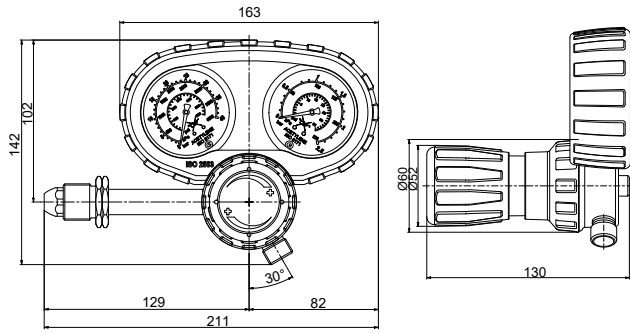


**On-line Instructions for Use** accessible via QR code

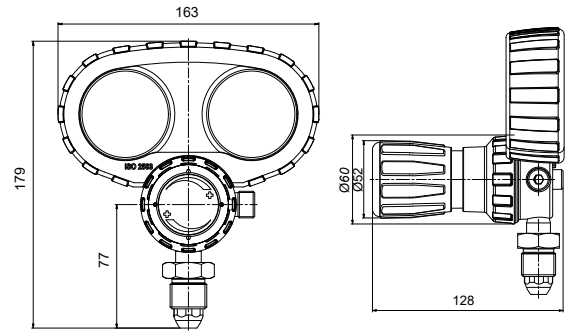
# ESAB ProGen

## DIMENSIONS

### PROGEN SE

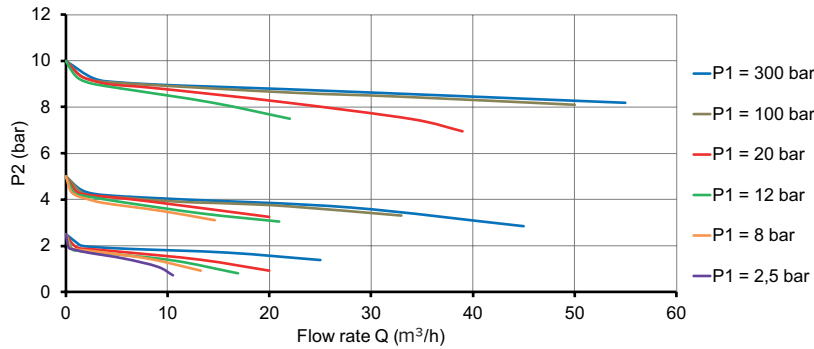


### PROGEN BE

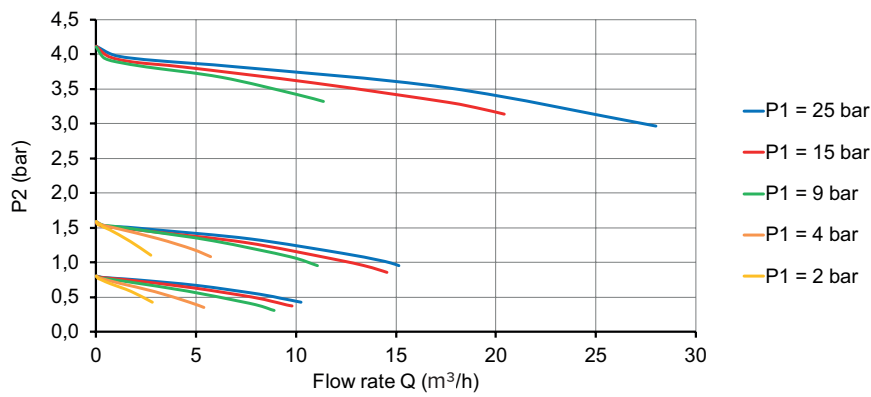


## FLOW CHARACTERISTICS

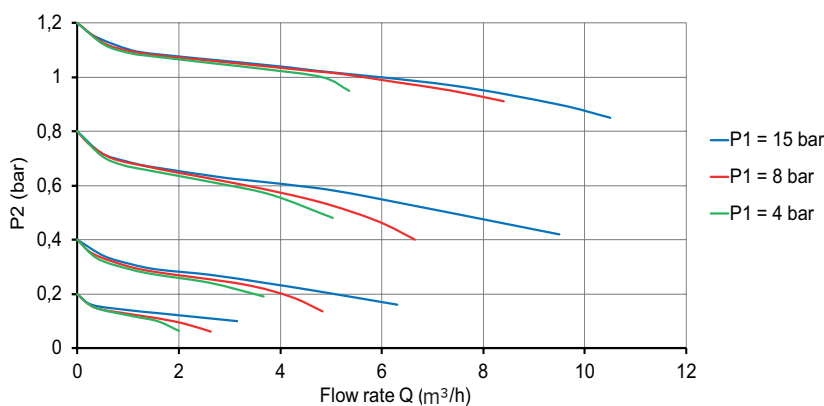
### Oxygen 300/10 bar



### Propane 25/4 bar



### Acetylene 25/1,5 bar



# ESAB ProGen

Art. Nr.	Gas	Inlet pressure	Outlet pressure	Inlet connection	Outlet connection	Inlet Position
PG0700017201	Oxygen	300 bar	4 bar	G5/8"	G3/8"	BE
PG0700017200	Oxygen	300 bar	4 bar	G5/8"	G3/8"	SE
PG0700017202	Oxygen	300 bar	10 bar	G5/8"	G3/8"	SE
PG0700017203	Oxygen	300 bar	10 bar	G5/8"	G3/8"	BE
PG0700018103	Oxygen	300 bar	10 bar	W30 x 2	G3/8"	SE
PG0700017207	Acetylene	25 bar	1,5 bar	G5/8" LH	G3/8" LH	SE
PG0700017208	Acetylene	25 bar	1,5 bar	G5/8" LH	G3/8" LH	BE
PG0700017209	Propane	25 bar	4 bar	G5/8" LH	G3/8" LH	SE
PG0700017219	Ar/CO2	300 bar	0-40 LPM	G5/8"	G3/8"	BE
PG0700017217	Ar/CO2	300 bar	0-40 LPM	G5/8"	G3/8"	SE
PG0700018101	Ar/CO2	300 bar	0-40 LPM	W30 x 2	G3/8"	SE
PG0700018104	Inert	300 bar	10 bar	G5/8"	G3/8"	SE
PG0700017220	Inert	300 bar	10 bar	G5/8"	G3/8"	BE
PG0700018102	Inert	300 bar	10 bar	W30 x 2	G3/8"	SE
PG0700017218	Carbon Dioxide	300 bar	0-40 LPM	0.860 - 14 TPI	G3/8"	SE

